



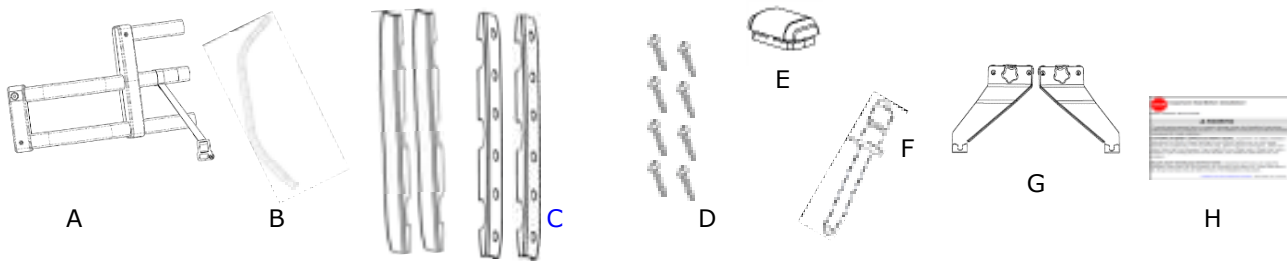
GENUINE PARTS

INSTALLATION INSTRUCTIONS

DESCRIPTION:	Sliding Bracket Bed Extender
APPLICATION:	Titan (2016-)
PART NUMBER:	Bed Extender (999T7 W4200)
	Installation of this accessory requires installation of additional Part(s): <ul style="list-style-type: none"> • Bed Extender • Sliding Bracket • Bed Extender Hardware

KIT CONTENTS:

Item	Qty.	Part Description
A	2	Pivot Section Assembly
B	3	Center Tube
C	4	Bumper Upright Outer/Inner
D	8	PT Screw
E	4	Bumper
F	4	Blind Rivet
G	2	Sliding Bracket Assembly
H	1	Installation Instruction Replacement Template



TOOLS REQUIRED:

- Socket Wrench
- 12mm Wrench
- Safety Glasses
- 12mm Socket
- Torque Wrench
- T-25 Torx Wrench

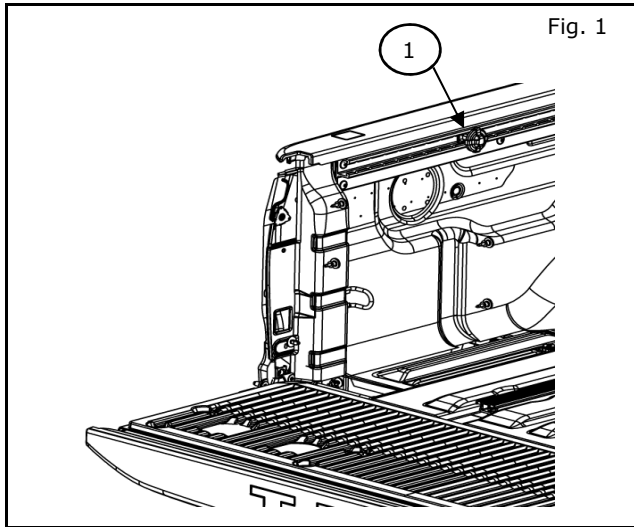
PRE-INSTALLATION WARNINGS, CAUTIONS, CRITICAL STEPS, and NOTES:

- Dealer Installation Recommended.

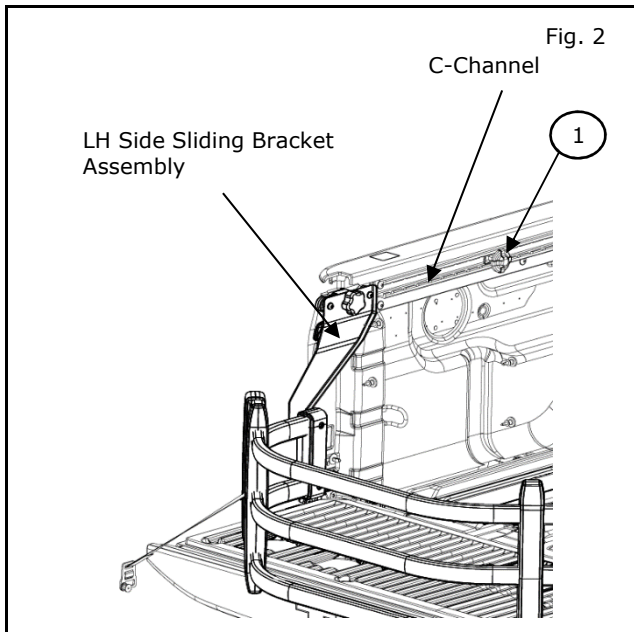
⚠ WARNING

- During the assembly and installation process, be careful not to scratch surface.
- Study illustrations and read the instructions carefully before attempting assembly.
- Maximum load on open tailgate is 91Kg (200lbs).
- Keep installation instructions in glove compartment for future reference.
- Do not use bed extender or tailgate to secure cargo.
- Bolt-on bracket and sliding bracket assembly set does not work simultaneously.
- Bolts must be tightened according to the specified torque values.

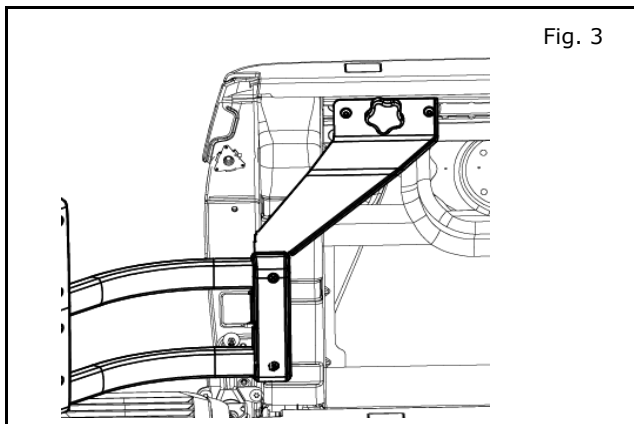
INSTALLATION PROCEDURE: FOR SLIDING BRACKET ASSEMBLY



- 1) Wipe away any dirt or debris from inside surfaces of Utility-Track C-Channels



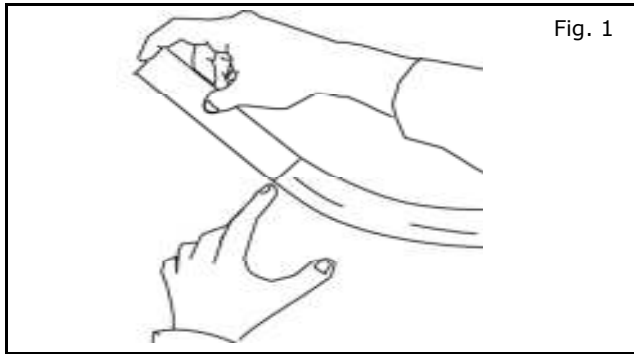
- 2) Slide both the left and right sliding bracket Assembly into the C-Channels.
- 3) Re-connect the End Stops (Item 1, Figure 2)



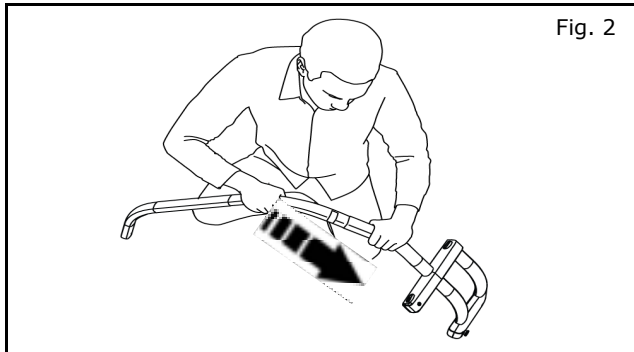
- 4) To secure the Sliding Bracket Assemblies position on the C-channels, turn the knob clock-wise until it bottoms against the C-channel, Tightening knobs should be torqued to a range of 3.4 N-m to 5.6 N-m or 30 in-lbs. to 50 in-lbs.

NOTE: Make sure the left and the right Sliding Bracket Assembly are approximately aligned with each other.

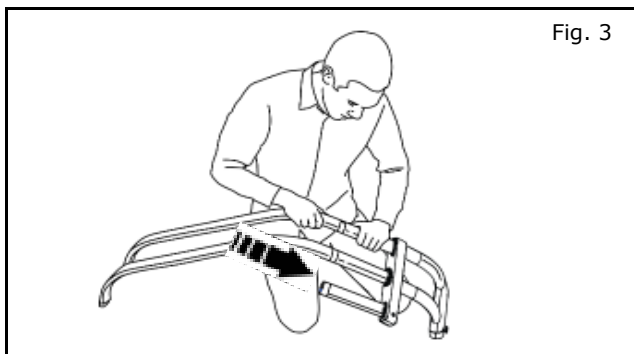
INSTALLATION PROCEDURE: FOR BED EXTENDER



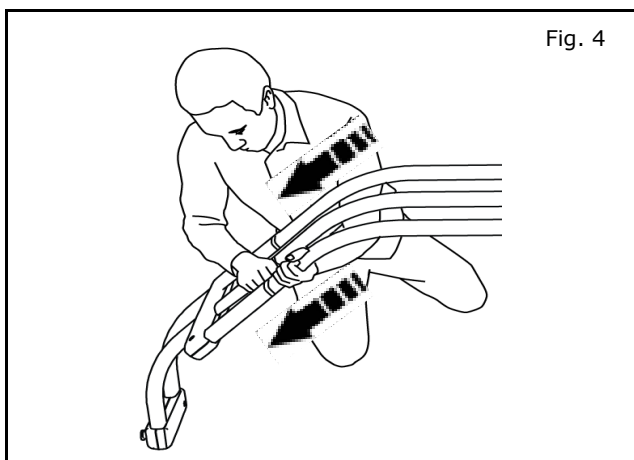
- 1) Note the unpainted section of the tubes. This will be used as a guide to assemble the tubes together. Figure 1 shows the intersection point of the center tube.



- 2) Slide the center tube into the center tube of 3-tube assembly (figure 2). Do this for the following tubes shown in figure 3.



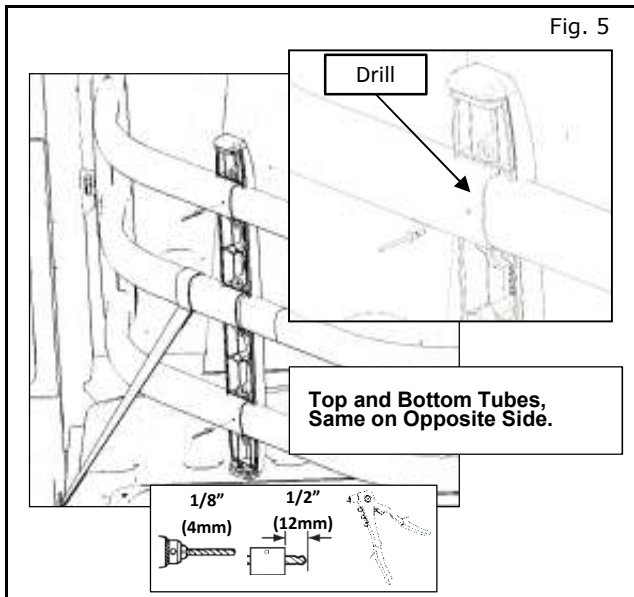
- 3) Insert the bottom long tube into the bottom tube of the 3-tube assembly as shown in figure 3 and 4. Repeat for the other side.



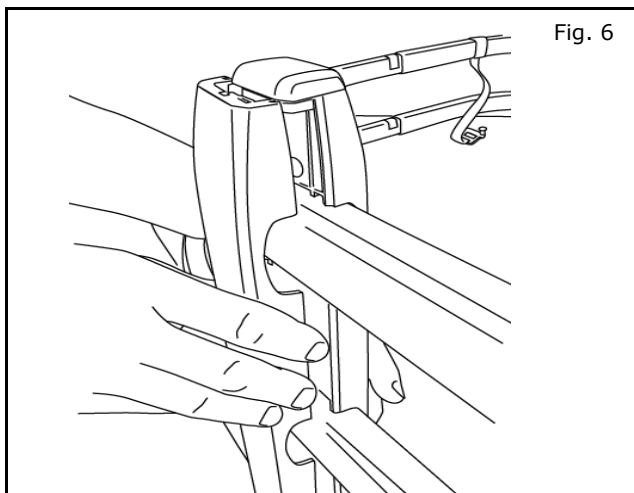
- 4) To keep tube overlap constant, adjust each tube equal on all sides. (figure 4)

NOTE: The inside of the upright is stepped to fit correctly around the small and large diameter tubes. (figure 5)

INSTALLATION PROCEDURE: FOR BED EXTENDER

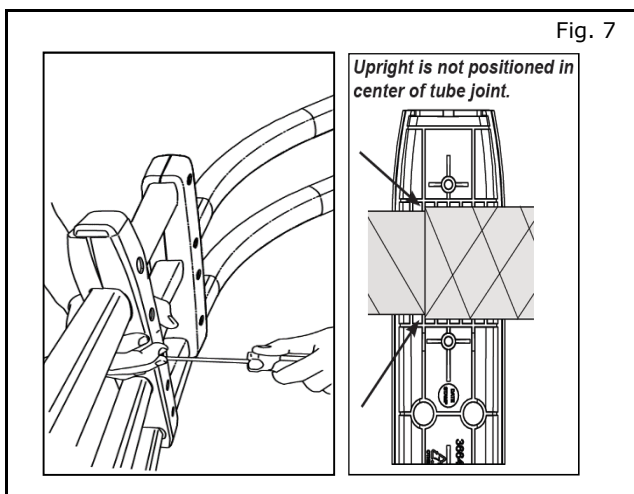


- 5) Use a 1/8" drill bit to drill a Hole into top and bottom center tubes to allow for pivot tube and center tube to be riveted together. (This is shown in figure 5)



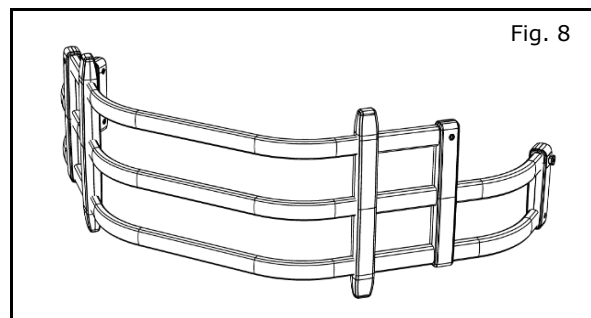
- 6) Attach plastic upright around the tube juncture (like a sandwich), placing a rubber bumper into the two ends of the upright. (figure 6)

NOTE: Upright is not to be positioned in center of tube joint to allow for maximum fitment.

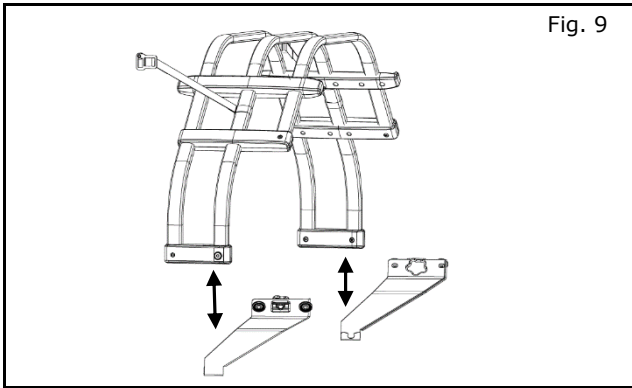


- 7) Tighten screws using a T-25 Torx driver, starting in the middle of each upright, then working out toward the ends of the upright to evenly tighten. Refer to figure 7.

- 8) Assembly complete.



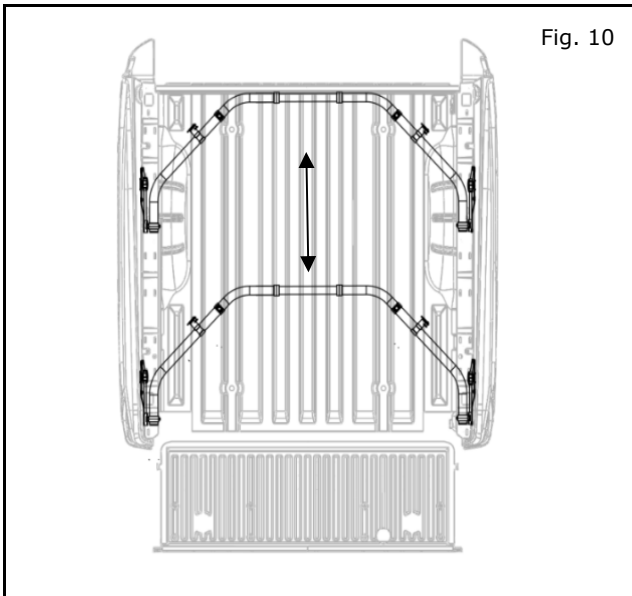
INSTALLATION PROCEDURE: FOR BED EXTENDER



NOTE: Sliding Bed Extender comes pre assembled and ready to drop into vehicle

- 9) Lower the Bed Extender into the brackets by holding it in the vertical position. Also, have the Bed Extender in vertical position to remove from the brackets.

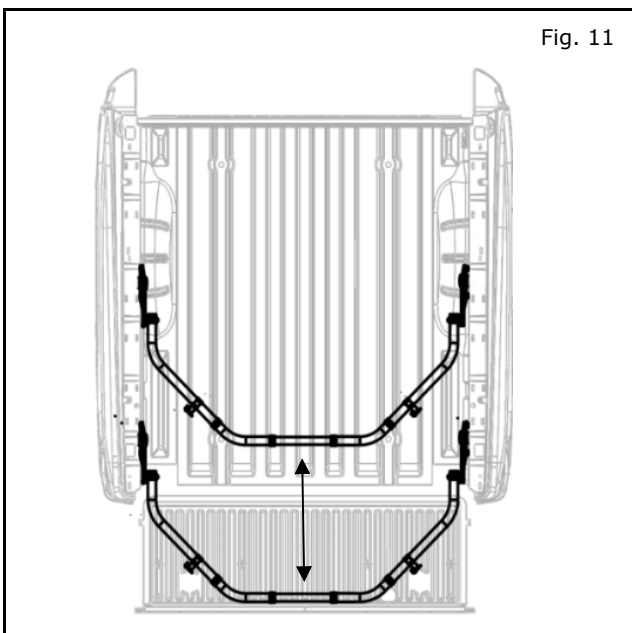
NOTE: It is normal for the Extender to have some resistance when its first rotated in the brackets



- 10) Three positions available for the Utility-Track Sliding Bed Extender

- Extender tucked away.
- Extender inward and tailgate closed.
- Extender outward and variable depth.

- 11) To re-position the Bed Extender along the c-channel, first remove the Bed Extender from the sliding brackets, approximately align and tighten (see step 4 on page 2 for tightening instruction) the sliding bracket assemblies, and then lower the Bed Extender back into the sliding brackets.



- 12) When the Bed Extender is at the further rear position, push down on the buckle to insert into tailgate latch. Tighten straps. To release, pull tailgate handle.

NOTE: Ensure that buckles are properly inserted into latches by pulling on the straps after both buckles have been inserted.

